

ALUMINIUM CORNER

Intended use:

The profiles are intended to protect corners made using interior drywall technology.

Product description:

ECO LINE

AL. ECO - the cheapest aluminum corner in our offer, which is still very popular in many countries. Our company, thanks to many years of experience and modern production lines, is able to produce EKO corners with high precision, maintaining their straightness and perforation quality. The characteristic, refined "cube" packaging protects the corners against damage and facilitates distribution to our customers. Even the cheapest products manufactured by JS Technologie (EKO line) are made and packed with great care.

STANDARD LINE

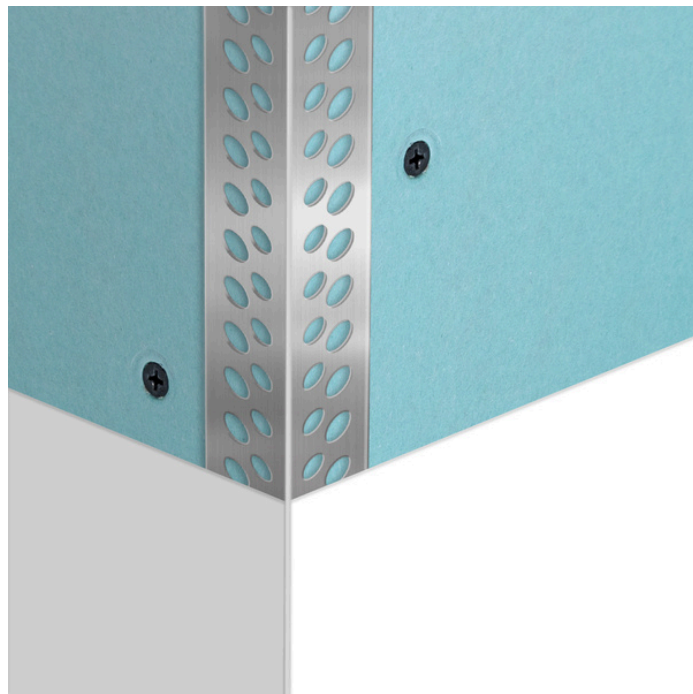
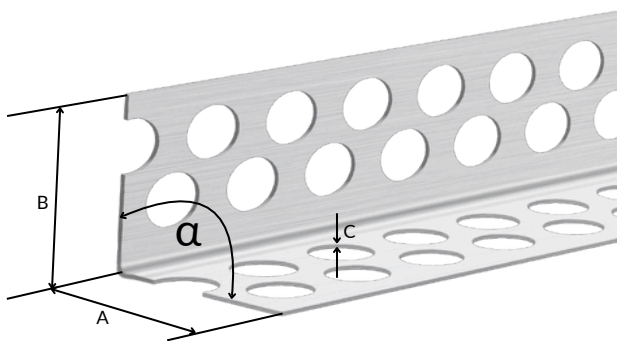
AL. STD | AL. STD PLUS | AL. STD PLUS 25x25 - a popular aluminum corners that meets basic needs. Our company, thanks to many years of experience and modern production lines, is able to produce STANDARD corners with high precision, comparable to products from higher series. The characteristic, refined "cube" packaging protects the corners against damage and facilitates distribution to our customers. Made in three width sizes A and B - 20x20 mm, 23x23 mm, 25x25 mm.

AL. STD PLUS 0,35 | AL. STD PLUS 0,35/25x25 - aluminum corners with increased stiffness thanks to the use of 0.35 mm thick tapes. They are characterized by greater stiffness compared to AL. STD. These are high-quality, rigid corners that provide everything needed for efficient and trouble-free processing. A refined packaging system guarantees safe transport.

AL. STD ½ - high-quality aluminum half-corner. Our company produces a half-corner that enables the processing of the edges of plasterboards even with large defects and irregularities created on the boards during work. The characteristic, refined "cube" packaging protects the half-corners against damage and facilitates distribution to our customers.

AL. 135° - obtuse aluminum corner for unusual angles, large width of wings facilitates work. Great price-quality ratio. A good alternative to various types of tapes and meshes as it additionally protects the corner against damage.

Technical sketch:



Functional graphics for products AL.

Material:

The profile is made of malleable aluminum alloys.

Application:

The profile should be pre-mounted with plaster mass to the corner of the wall made of plasterboards. Then cover the profile with gypsum filler. After the mass dries, smooth it with an abrasive mesh and paint it.

symbol	AL. EKO	AL. STD	AL. STD ½	AL. 135°	AL. STD PLUS	AL. STD PLUS 25x25	AL. STD PLUS 0,35	AL. STD PLUS 0,35/25x25
material	aluminium	aluminium	aluminium	aluminium	aluminium	aluminium	aluminium	aluminium
dimension A	18 mm	20 mm	12 mm	24 mm	23 mm	25 mm	23 mm	25 mm
dimension B	18 mm	20 mm	24 mm	24 mm	23 mm	25 mm	23 mm	25 mm
dimension C	0,25 mm	0,30 mm	0,30 mm	0,30 mm	0,30 mm	0,30 mm	0,35 mm	0,35 mm
angle α	88°	88°	88°	135°	88°	88°	88°	88°
weight per linear meter	17 g	21 g	28 g	21 g	23 g	29 g	32 g	35 g
package (pcs)	100 (2x50)	100 (2x50)	25	50	100 (2x50) 200 (4x50) cardboard box	100 (2x50) 200 (4x50) cardboard box	100 (2x50) 200 (4x50) cardboard box	100 (2x50) 200 (4x50) cardboard box
wooden box (pcs)	15 400	15 400	17 600	8 250	16 800	16 800	13 000	10 000
pallet (pcs)	40 000	40 000	30 000	16 500	30 000	30 000	25 000	20 000

Released on February 15, 2024.

This update invalidates all previous versions of this data sheet. Product dimensions and weights quoted are nominal and may be within permitted manufacturing tolerances.